

# Product Datasheet



60W Series

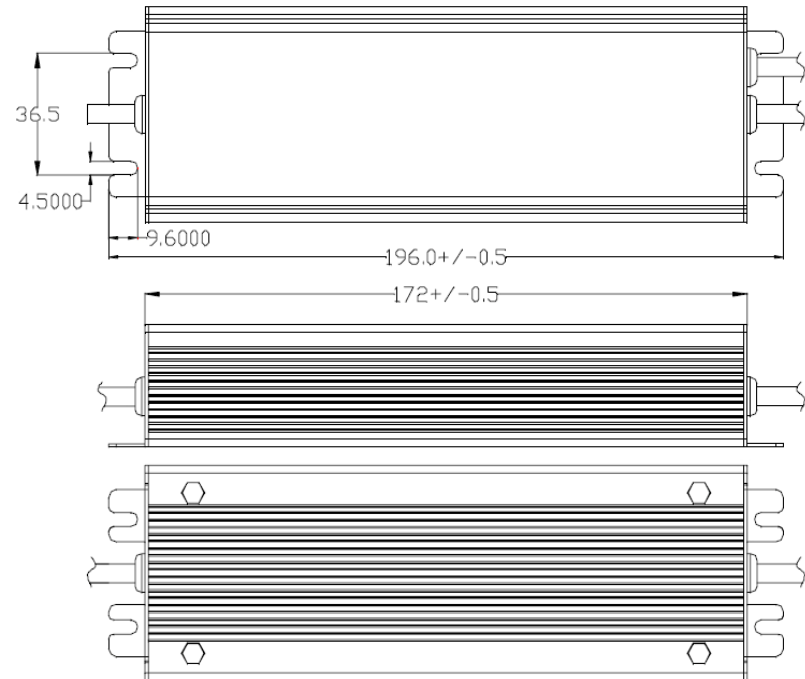
12V to 171,5V  
2,8A to 350mA

LED Driver

<b>INPUT</b>	VOLTAGE / FREQ.	100~277Vac/50/60Hz ±3Hz
	RATED INPUT CURRENT	0.8A max.
	INPUT POWER	72W max
<b>OUTPUT</b>	DC VOLTAGE	12V - 171V
	RATED CURRENT (max OUTPUT)	2.8A - 350mA
	CONSTANT CURRENT	Yes
	LEAKAGE CURRENT	0,75mA max.
	LINE REGULATION (in % of I <sub>in</sub> )	±5% of rated output current
	RIPPLE CURRENT	25%
	POWER FACTOR 100% / 60% LOAD (Dimmed)	0.92 / 0.90 min
	TOTAL HARMONIC DISTORTION	20% max.
TYPE OF DIMMING	1-10Vdc or Resistance	
<b>PROTECTION</b>	OVER TEMPERATURE PROTECTION	100°C ±10°C (RTH2)
	SURGE PROTECTION	5KV
	HI-POT WITHSTAND VOLTAGE	I/P-O/P 3.75KVAC I/P-F/G 1.5KVAC O/P-F/G 0.5KVAC
<b>ENVIRONMENT</b>	TEMPERATURE (working)	-40°C ~ +60°C
	IP CLASSIFICATION	IP67
<b>SAFETY &amp;</b>	UL8750, EN61347-1, EN61347-2-13	
<b>EMC</b>	EN55015, EN55022,61000-3-2/3 Class C (>75% Load)	
<b>MTBF</b>	90000Hr 100% Load 25°C	
<b>OTHERS</b>	COLOUR	Silver
	DIMENSION (without mounting brackets)	172mm*63*38.8mm (L*W*H)
	WEIGHT	0.495 Kg
	PACKING	TBD x units per carton
	DIMENSIONS	TBD

**TYPICAL APPLICATIONS:**

- LED lighting
- LED Display
- Street Lighting



Model dependant differences

	350mA	700mA	1050mA	2100mA	2800mA
Efficiency Range (max.)	90%	90%	90%	89%	88%
Output Power range	35-60W	30-60W	30-60W	30-60W	30-60W
Output Voltage range	90-171.5V	43-86V	28.5-58V	14-28.5V	12-21.5V
Output Current Range	350mA	700mA	1050mA	2100mA	2800mA
Inrush Current Peak	100A (max.)	100A (max.)	75A (max.)	75A (max.)	75A (max.)

Dimension are advisory only. Appearance may vary. This datasheet is covering a complete product family. Ratings shown are reflecting smallest and largest values only.

Alteration reserved without prior notice.